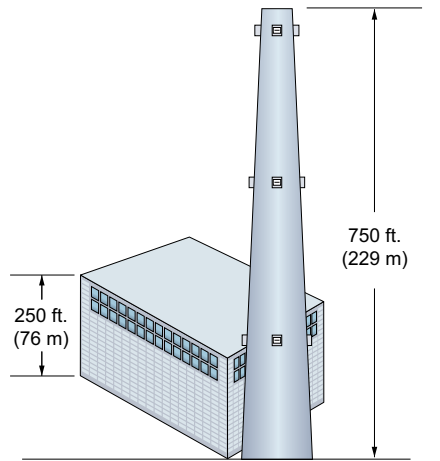


# FAA Lighting Adjacent Structures

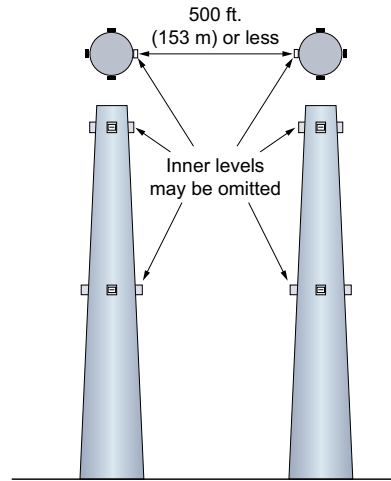
Day Protection = 270,000 cd White Light (painting of tower is typically not required)

Twilight Protection = 20,000 cd White Light

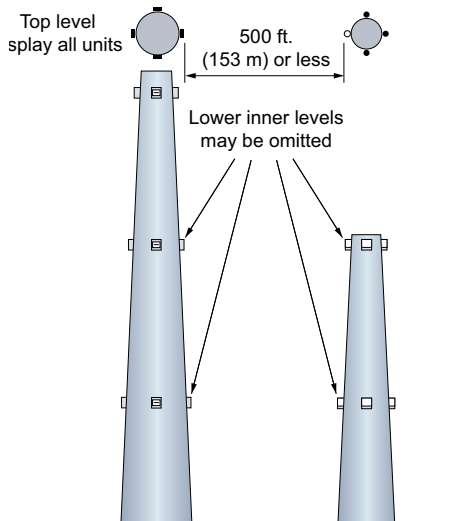
Night Protection = 2,000 cd White Light



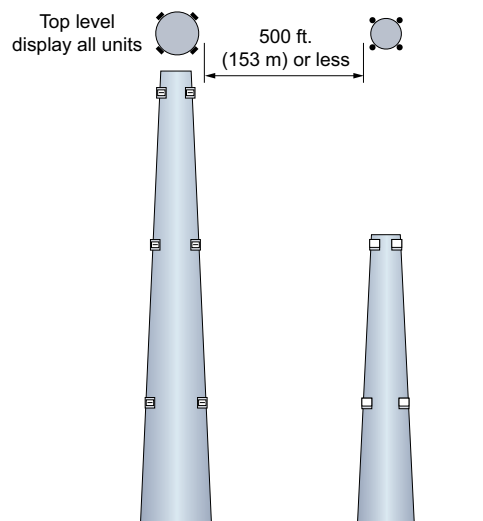
Lowest level should be above adjacent structure



Structures of equal height. Number of levels depends upon height of structure (Lights on both structures to be synchronized)



One structure higher than the adjacent structure and light levels are on same horizontal plane (Lights on both structures to be synchronized)



One structure higher than the adjacent structure and light levels are on same horizontal plane (Lights on both structures to be synchronized)

● / ◻ / ◻ = L-856 (high intensity flashing white light)

● / ◻ / ◻ = L-865 (medium intensity flashing white light)