



ACCESSORIES

OL800 SOLAR OBSTRUCTION LIGHT

Carmanah's OL800 Obstruction Lights for tower and hazard marking have a range of optional accessories available, including durable mounting hardware, frangible couplings and a selection of replacement parts.

MOUNTING

REF.	PART NO.	DESCRIPTION
2A	65714	Standard mounting plate (1.5" pipe x 18" installed height)
2B	65717	Extended mounting plate (1.5" pipe x 24" installed height)
3	65711	Frangible coupling (1.5" pipe socket x 2" thread w/ set screws)
3B	74239	OL800 mounting bracket
4	50144	Floor flange (2" thread)

HARDWARE

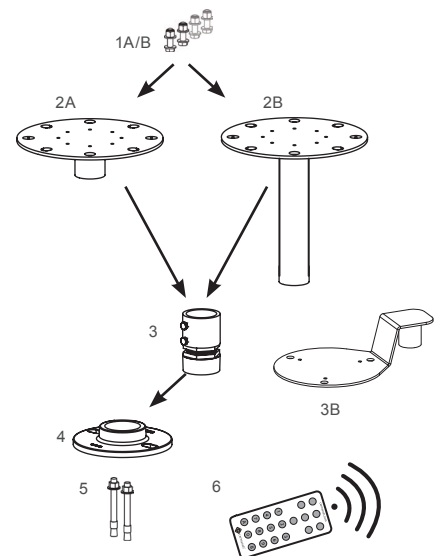
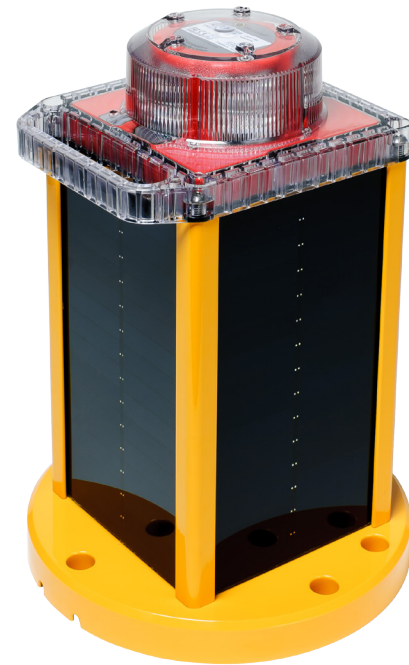
REF.	PART NO.	DESCRIPTION
1A	71757	Bolt kit (1/2-13 UNC x 2" long x 4)
5	46397	Wedge anchor bolt kit (3/8" x 3.75" long x 4)
1B	71884	Security bolt kit, not including driver or socket (1/2-13 UNC x 2" long, x 2 security, x 2 hex head)
-	69934	Bird deterrent, single

BATTERY

REF.	PART NO.	DESCRIPTION
-	69954	Battery replacement kit - compact
-	69955	Battery replacement kit - standard
-	69956	Battery replacement kit - large

TOOLS

REF.	PART NO.	DESCRIPTION
6	69899	IR programmer, slim, Carmanah-branded
-	53288	Security bolt kit driver
-	53289	Security bolt kit socket
-	48984	Tool kit
-	30768	Security screw bit (5/32" hex with center pin)
-	69885	Battery charger (100 - 240 VAC 50/60 Hz input, multiple ends for intl. use)



Specifications may be subject to change.

US and International patents apply. Other patents pending.

"Carmanah" and Carmanah logo are trademarks of Carmanah Technologies Corp.

Carmanah is a Canadian public corporation - TSX:CMH

© 2017, Carmanah Technologies Corp.

Document: OBST_Accessories_Spec_Sheet_RevC



ACCESSORIES

OL4A & OL2A SOLAR OBSTRUCTION LIGHTS

Carmanah's OL4A and OL2A Obstruction Lights for towers, cranes, and hazard marking come with a range of accessories including durable mounting hardware, frangible couplings, and a selection of replacement parts.

OL4A SERIES ACCESSORIES

MOUNTING

REF.	PART NO.	DESCRIPTION
2A	66699	Standard mounting plate (14" installed height)
2B	69752	Extended mounting plate (24" installed height)
3	65711	Frangible coupling, 1.5" pipe x 2 thread
3B	74239	OL4A mounting bracket
4	50144	Floor flange, 2" thread
-	76296-A	Magnetic mounting kit (3 x magnets) ideal for mounting on cranes
-	61876	Magnetic sign mounting kit
-	61869	Fence mounting kit with hardware

BATTERY & HARDWARE

REF.	PART NO.	DESCRIPTION
-	72835	Battery replacement kit
1A	38334	Bolt kit (1/4-20 UNC x 1.5" long x3)
5	46397	Wedge anchor bolt kit (3/8" x 3.75" long x4)
1B	56578	Security bolt kit (1/4-20 UNC x 1.5" long x3) driver or socket not included

TOOLS

REF.	PART NO.	DESCRIPTION
6	69899	IR programmer, slim, Carmanah-branded
-	53284	Security bolt kit driver
-	53285	Security bolt kit socket
-	59198	Bottom cover tool

OL2A SERIES ACCESSORIES

MOUNTING

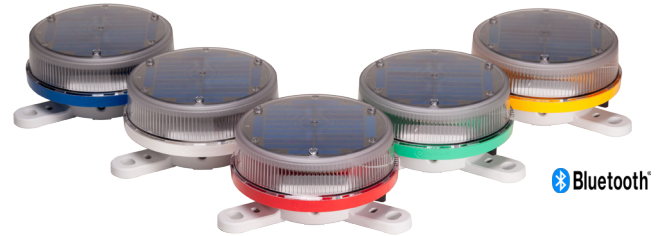
REF.	PART NO.	DESCRIPTION
-	61867	Magnetic mounting kit (3 x magnets) ideal for mounting on cranes
-	61876	Magnetic sign mounting kit

BATTERY & HARDWARE

REF.	PART NO.	DESCRIPTION
-	70955	Battery replacement kit (3x batteries)
1A	38334	Bolt kit (1/4-20 UNC x 1.5" long x3)
1B	53290	Security bolt kit (1/4-20 UNC x 1.5" long x2) driver or socket not included

TOOLS

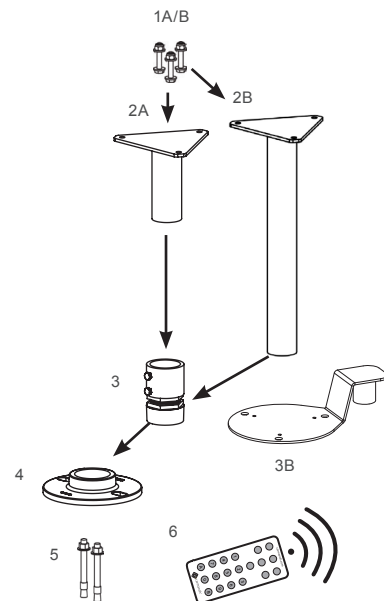
REF.	PART NO.	DESCRIPTION
6	69899	IR programmer, slim, Carmanah-branded
-	53284	Security bolt kit driver
-	53285	Security bolt kit socket



OL4A SERIES



OL2A SERIES



Specifications may be subject to change.

US and International patents apply. Other patents pending.

"Carmanah" and Carmanah logo are trademarks of Carmanah Technologies Corp.

Carmanah is a Canadian public corporation - TSX:CMH

© 2016, Carmanah Technologies Corp.

Document: OBST_Accessories_Spec_Sheet_RevC